



### 产品简介 Product Introduction

PVC球阀主要用于截断或接通管路中的介质，亦可用于流体的调节与控制，它与其它阀类相比，具有以下一些优点：

1. 流体阻力小、球阀是所有阀类中流体阻力最小的一种，即使是缩径球阀，其流体阻力也相当小。而UPVC球阀是根据各种腐蚀性管道流体需求而开发的一种新材料球阀产品。
2. 阀体重量轻、耐腐蚀性强，外型结构紧凑美观，本体重量轻容易安装，耐腐蚀性强，应用范围广，材质卫生无毒，耐磨损、容易拆卸，维护简单易行。

塑料球阀除了PVC塑料材质外，还有RPP、PVDF、PPH、CPVC等。

PVC球阀耐腐蚀性能优良。

密封圈采用F4，耐腐蚀性能优异，延长使用寿命。

转动灵活、使用方便。PVC球阀作为整体式球阀泄漏点少，强度高，连接式球阀装拆方便。

PVC ball valve is mainly used to cut off or connect the medium in the pipeline. It can also be used for fluid adjustment and control. Compared with other valves, it has the following advantages:

1. The fluid resistance is small, and the ball valve is the smallest fluid resistance of all valves. Even the reduced diameter ball valve has a relatively small fluid resistance. The UPVC ball valve is based on various A new material ball valve product developed for the needs of corrosive pipeline fluids.
2. The valve body is light in weight, strong in corrosion resistance, compact and beautiful in appearance, light in weight and easy to install, strong in corrosion resistance, wide application range, hygienic and non-toxic, wear-resistant It is damaged, easy to disassemble, and easy to maintain.

In addition to PVC plastic materials, plastic ball valves also include RPP, PVDF, PPH, CPVC, etc.

PVC ball valve has excellent corrosion resistance.

The sealing ring adopts F4, which has excellent corrosion resistance and prolongs the service life.

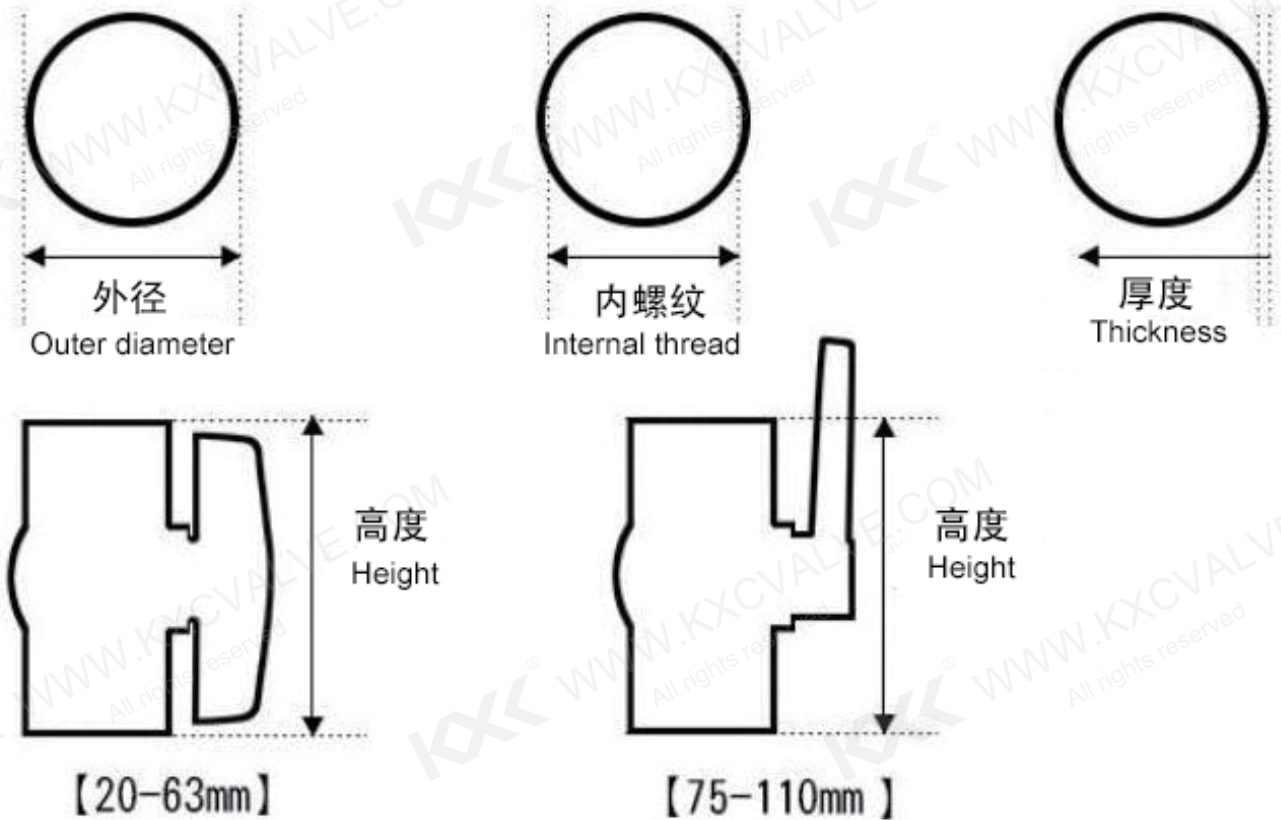
Flexible rotation and easy to use. As an integral ball valve, the PVC ball valve has less leakage points, high strength, and convenient assembly and disassembly of the connecting ball valve.





名称 Name	塑料球阀 Plastic ball valve
颜色 Color	白色、蓝色、灰色 White, blue, gray
材质 Material	PVC
功能 Function	水流开关 Water flow switch
连接方式 Connection method	螺纹连接 Threaded connection
规格 Size	20/25/32/40/50/63/90/110 (mm)

主要外形及连接尺寸 Main external and connection dimension

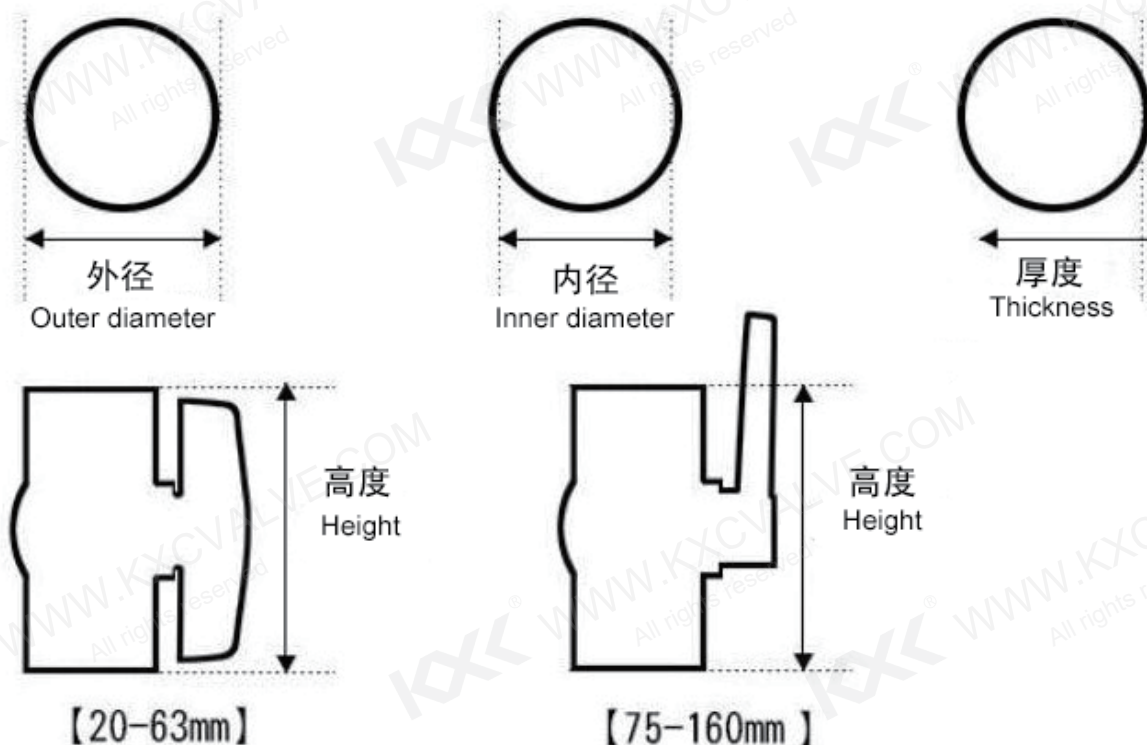


规格 Size	20	25	32	40	50	63	75	90	110
外径 Outer diameter	28.8	33.8	41.2	49.8	61	74.2	87.6	103.2	126.2
厚度 Thickness	4.4	4.4	4.6	4.9	5.5	5.6	6.3	6.6	8.1
高度 height	72.6	81	96	109	121	142	170	208	257
内螺纹 internal thread (NPT/BSPT)	DN15 1/2"	DN20 3/4"	DN25 1"	DN32 1¼"	DN40 1½"	DN50 2"	DN65 2½"	DN80 3"	DN100 4"



名称 Name	塑料球阀 Plastic ball valve
颜色 Color	白色、蓝色、灰色 White, blue, gray
材质 Material	PVC
功能 Function	水流开关 Water flow switch
连接方式 Connection method	胶粘插口 Socket(ANSI/DIN/JIS/BS)
规格 Size	20/25/32/40/50/63/90/110 (mm)

主要外形及连接尺寸 Main external and connection dimension



规格 Size	20	25	32	40	50	63	75	90	110	160
外径 Outer diameter	28.8	33.8	41.2	49.8	61	74.2	87.6	103.2	126.2	185.4
内径 Inner diameter	20	25	32	40	50	63	75	90	110	160
厚度 Thickness	4.4	4.4	4.6	4.9	5.5	5.6	6.3	6.6	8.1	12.7
高度 height	72.6	81	96	109	121	142	170	208	257	380